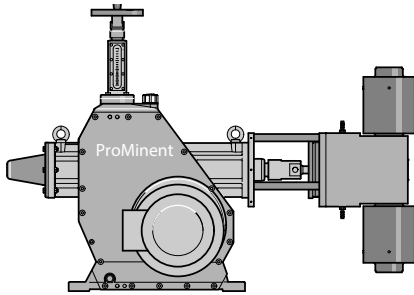


2.8 ProMinent® Makro/ 5 Piston Metering Pumps

2.8.1 ProMinent® Makro/ 5 Piston Metering Pumps



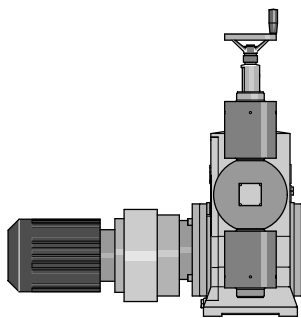
pk_2_075

ProMinent® Makro/ 5 HK piston Metering Pump

The ProMinent® Makro/ 5 piston Metering Pump is driven by a dual wound three phase, 3 kW motor, 230/400 V, 50/60 Hz, enclosure rating IP 55, insulation class F. The stroke length is adjustable between 0...50 mm. The gearbox is housed in a sea water-resistant acrylic resin lacquered cast housing. The piston liquid end is made of stainless steel 1.4571 and pistons are made of oxide ceramic or stainless steel with a ceramic wear-resistant coating.

Dosing reproducibility under defined conditions and when installed correctly, is better than ± 0.5 % in a stroke length range of between 10 and 100 % (instructions in the operating instructions manual must be followed).

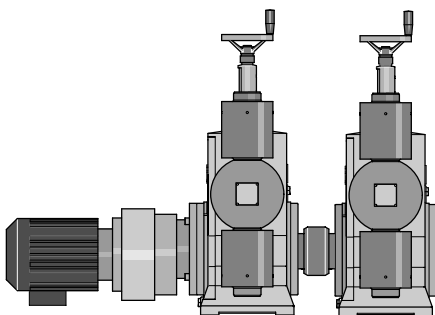
The suction lift varies with the density and viscosity of the dosing chemical, the connection tubing and the pump stroking rate. For all motor-driven Metering Pumps, for safety reasons, suitable overload protection must be provided during installation. A tensioning key is supplied as standard for re-tensioning packing rings.



pk_2_076

ProMinent® Makro/ 5 AK add-on pumps

The ProMinent® Makro/ 5 AK add-on piston Metering Pump can be used with the ProMinent® Makro/ 5 HK piston main power end to expand to a duplex or triplex system. (At reduced backpressures up to four add-on power ends can be combined with a single main power end.). The customer can retrofit the add-on power ends on site. If required, the main power end can be fitted with a 3 kW or a 5.5 kW motor. When using add-on power ends a mounting frame should be provided.



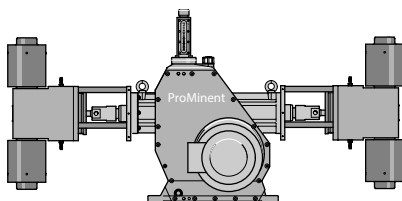
pk_2_077

ProMinent® Makro/ 5 double head version

HDK (main pump)/AKD (add-on pump)

For the ProMinent® Makro/ 5 HKD and AKD the same basic instructions as for the simplex pumps apply. It is also fitted, however, with a second liquid end.

The liquid ends operate in push-pull mode.



pk_2_078

Capacity with 1500 rpm motor and 50Hz

M5KaH

Bar l/hr	Bar l/hr	Bar l/hr	Bar l/hr	Bar l/hr
320 0038	140 0120	050 0335	025 0658	012 1343
320 0048	140 0151	050 0419	025 0822	012 1678
320 0066	140 0207	050 0576	025 1129	012 2305
320 0085	140 0267	045 0744	023 1458	012 2977
320 0100	100 0314	035 0872	018 1710	010 3491
240 0070	080 0214	035 0483	016 0970	006 2269
240 0088	080 0268	035 0604	016 1212	006 2837
240 0121	080 0368	035 0829	016 1665	006 3896
216 0157	070 0476	030 1071	016 2150	006 5031
170 0184	056 0558	025 1257	016 2522	006 6000

NOTE: ALL \$ P.O.A. CONTACT SYDNEY OFFICE